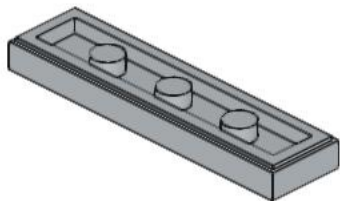
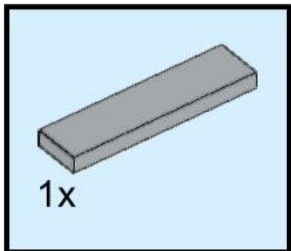
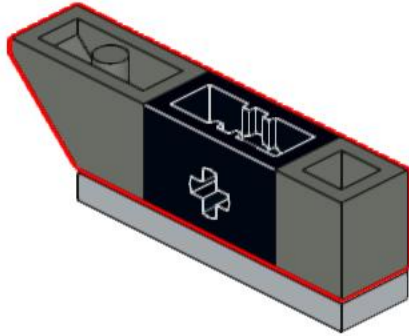
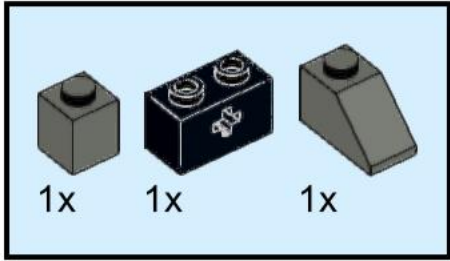


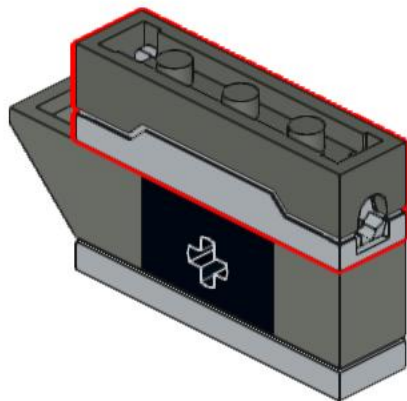
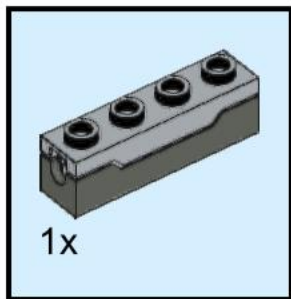
1



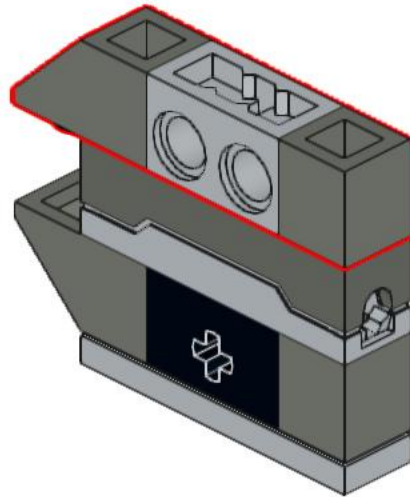
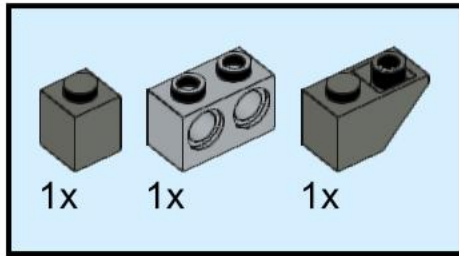
# 2



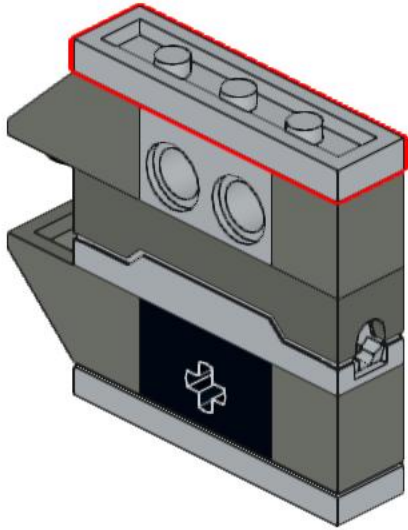
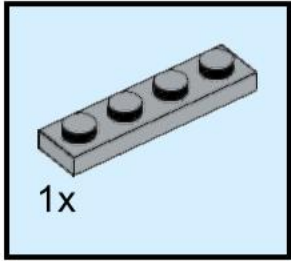
3



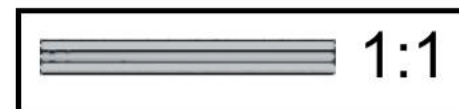
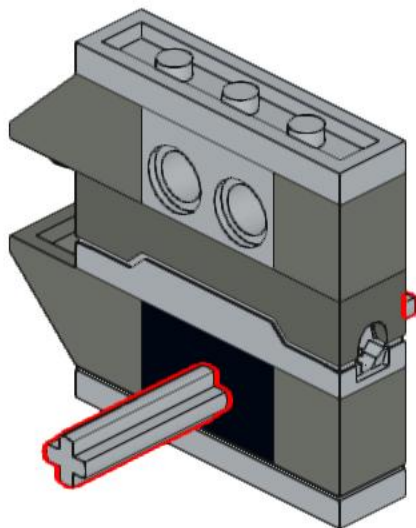
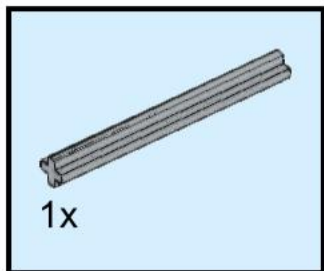
4



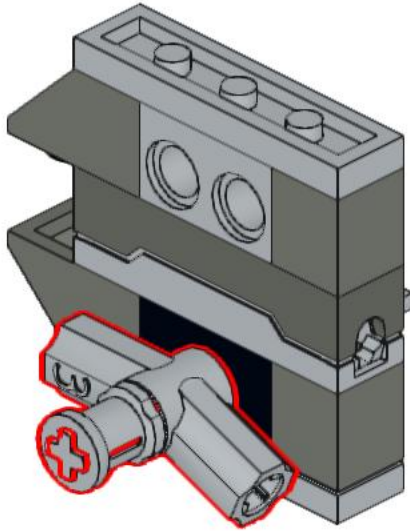
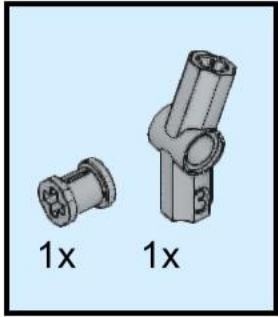
5



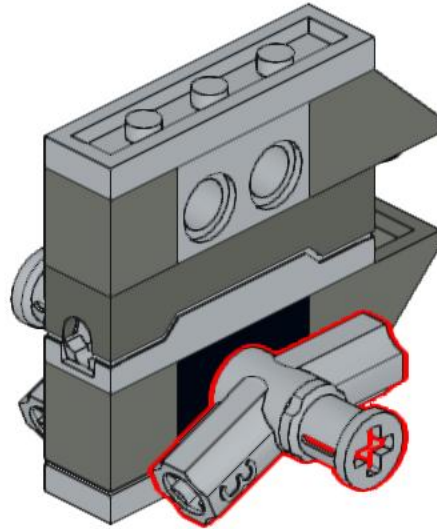
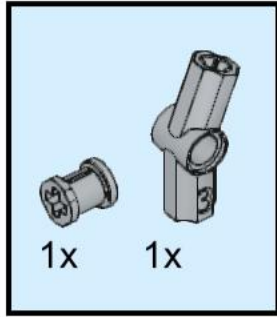
6



7

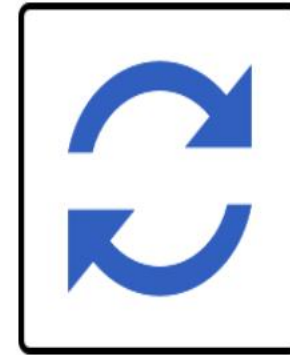
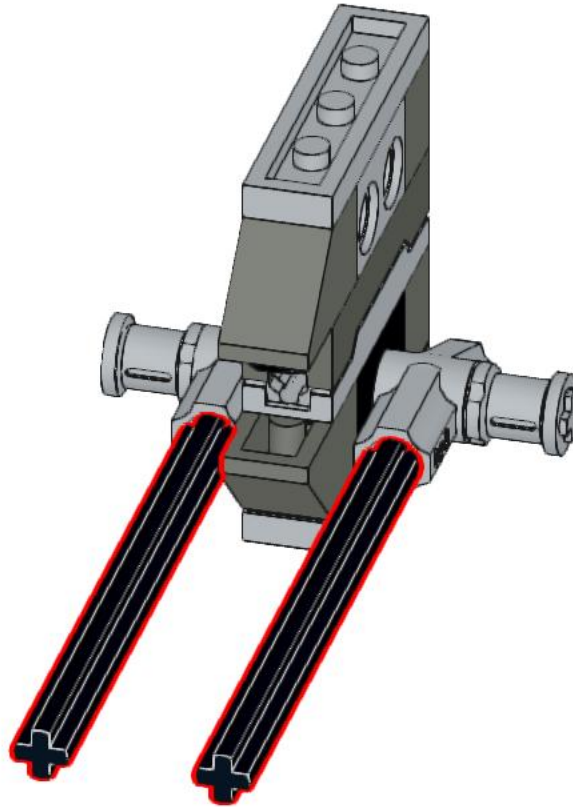
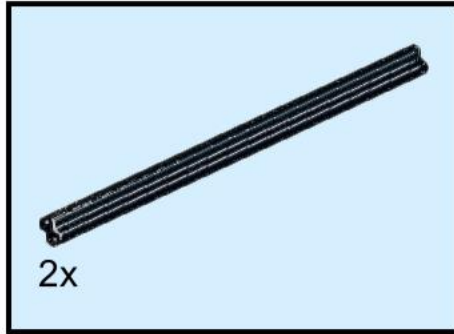


8

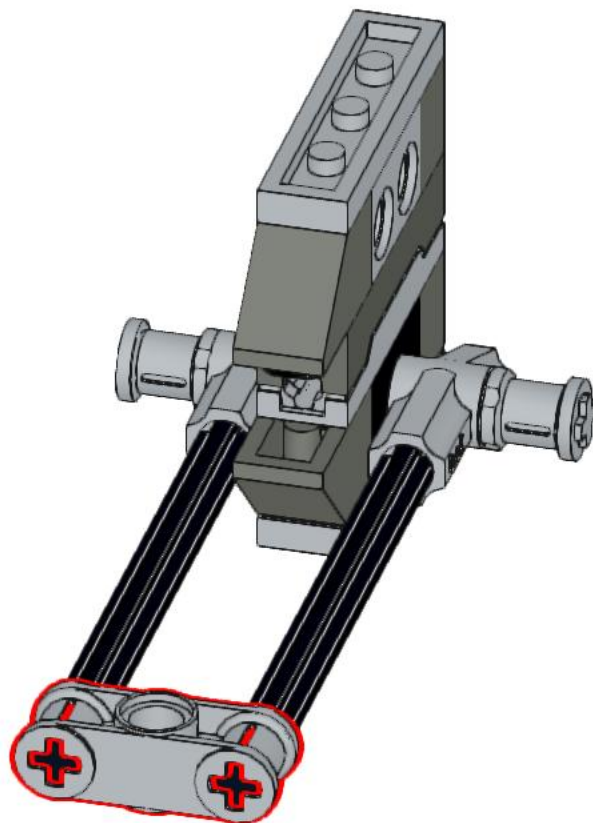
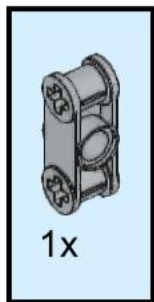




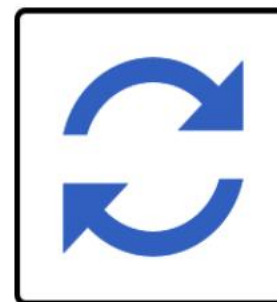
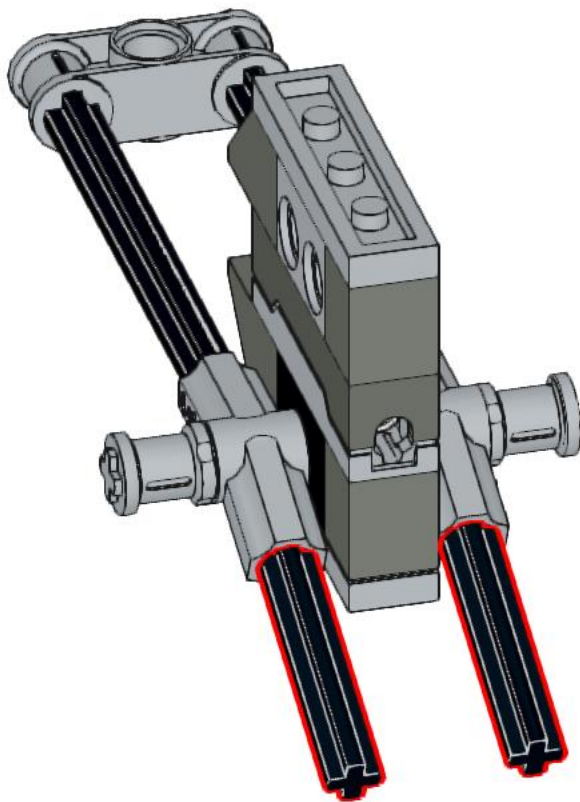
9



# 10

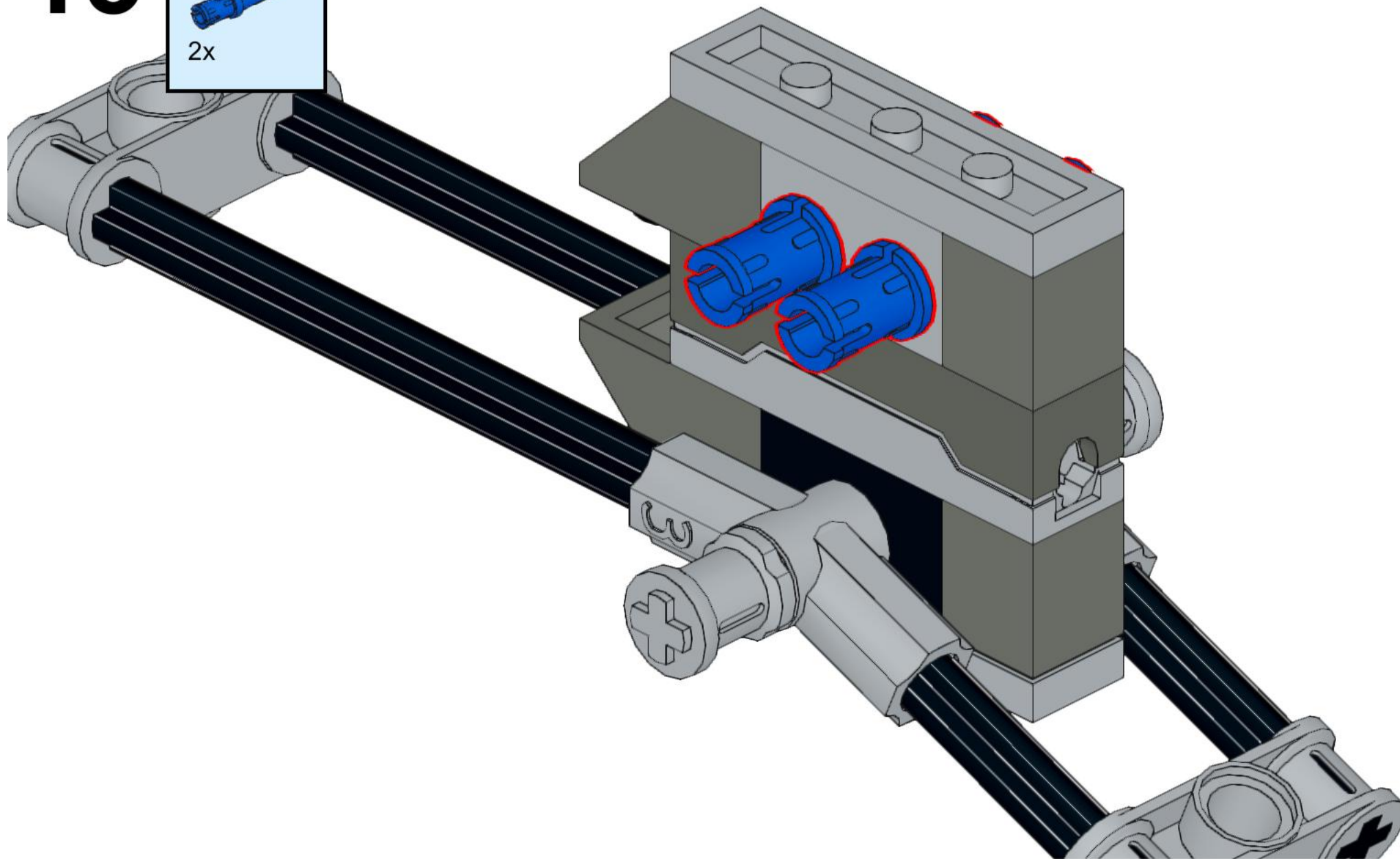
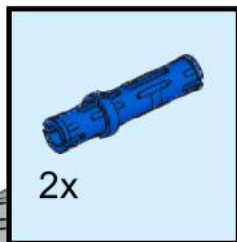


# 11

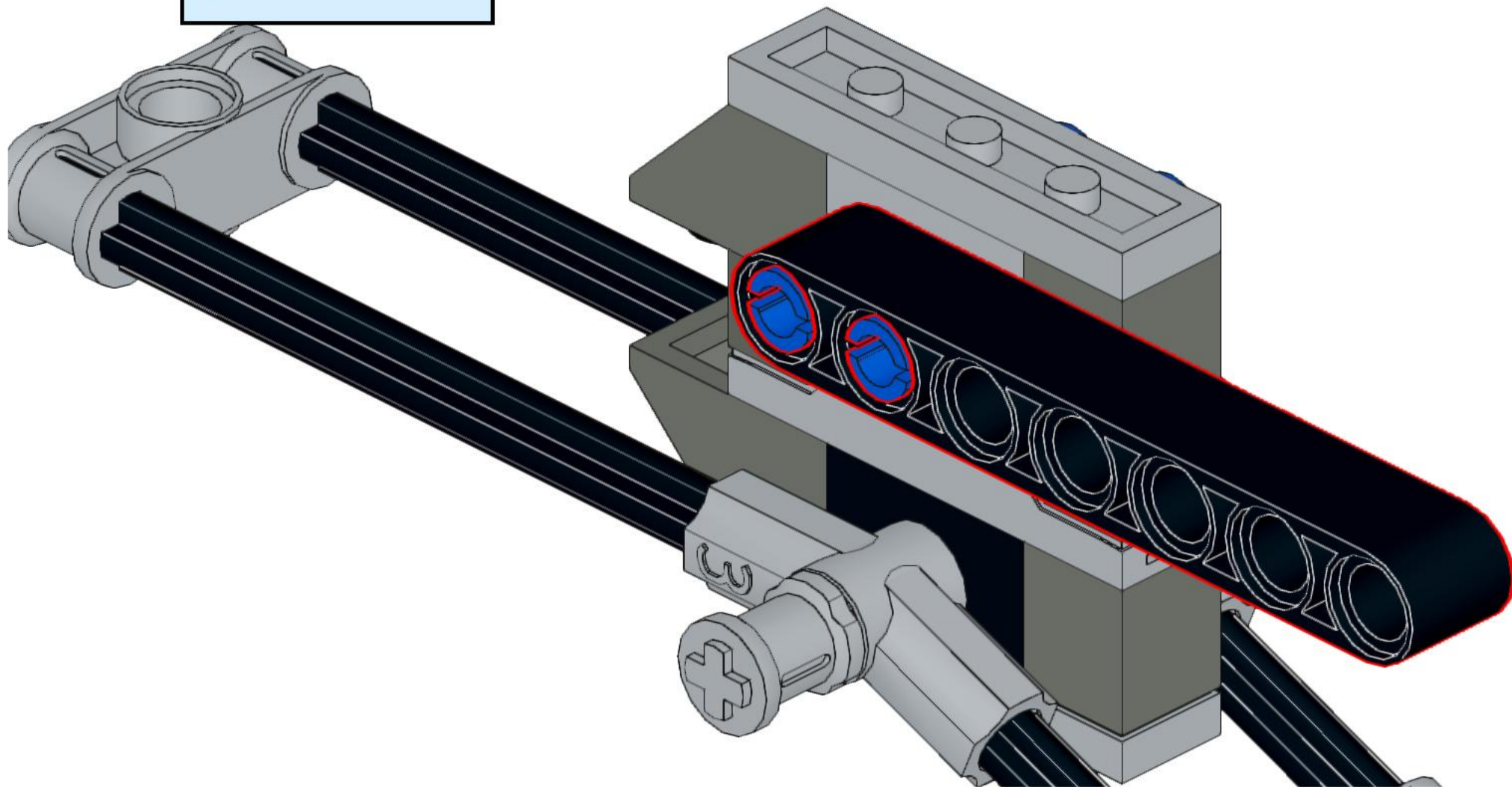




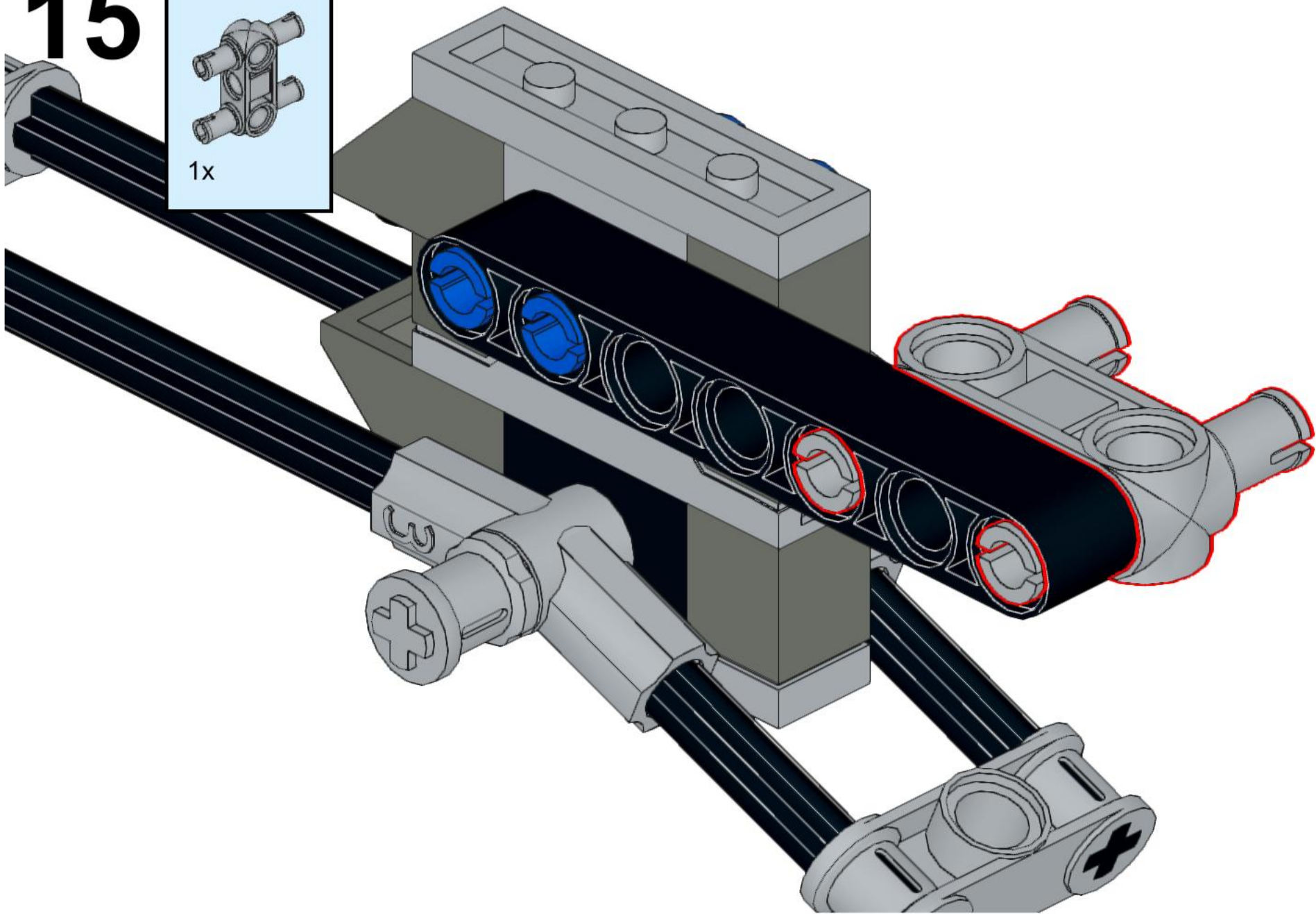
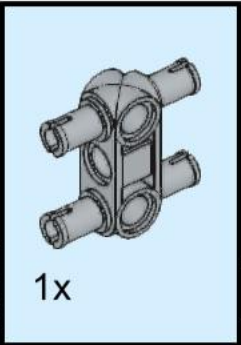
# 13



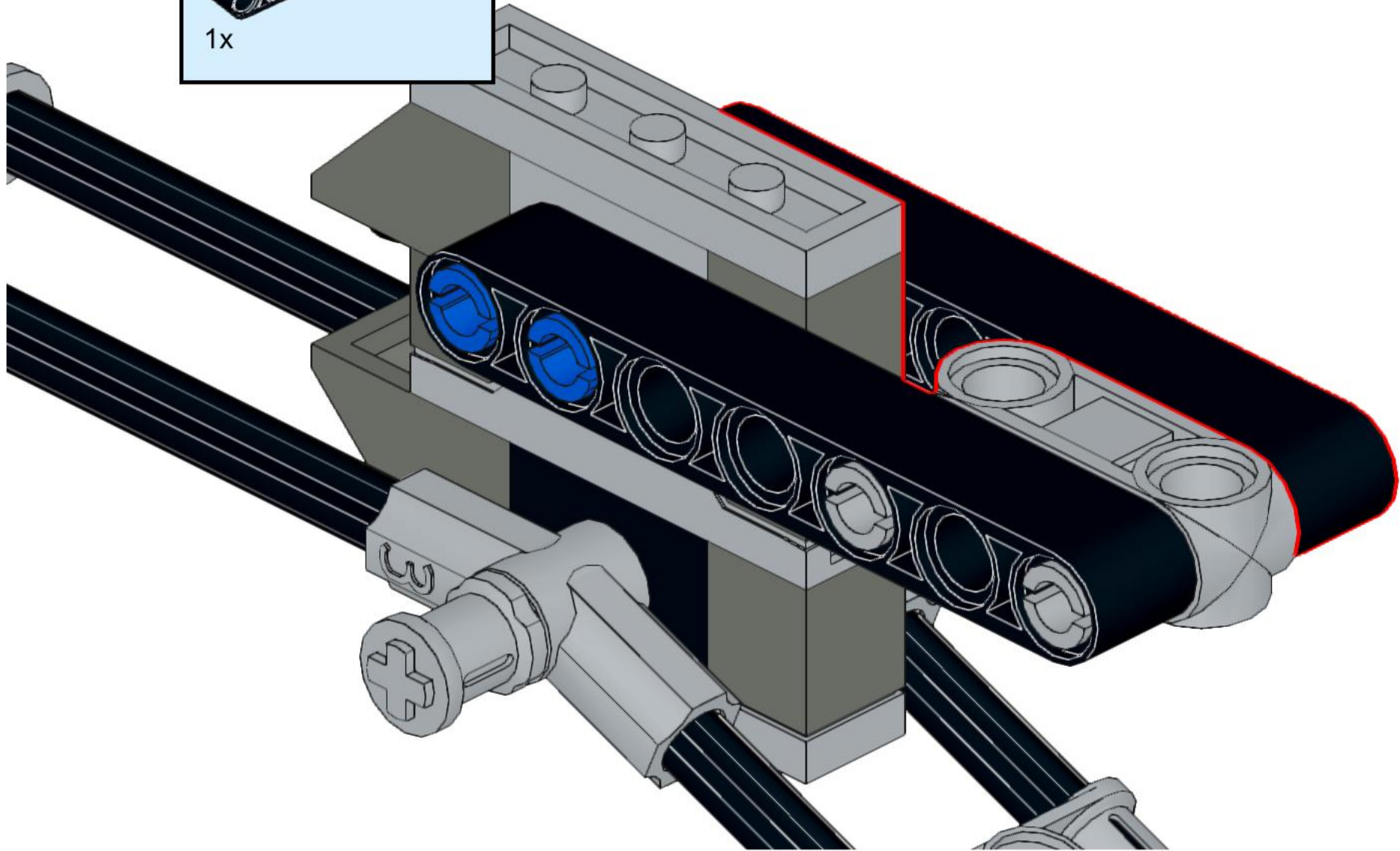
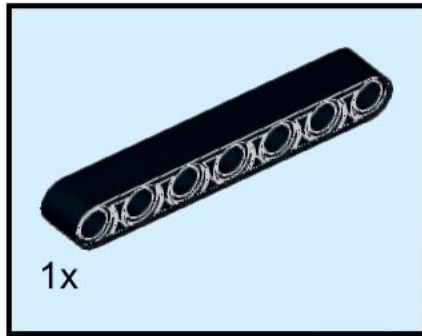
14



15

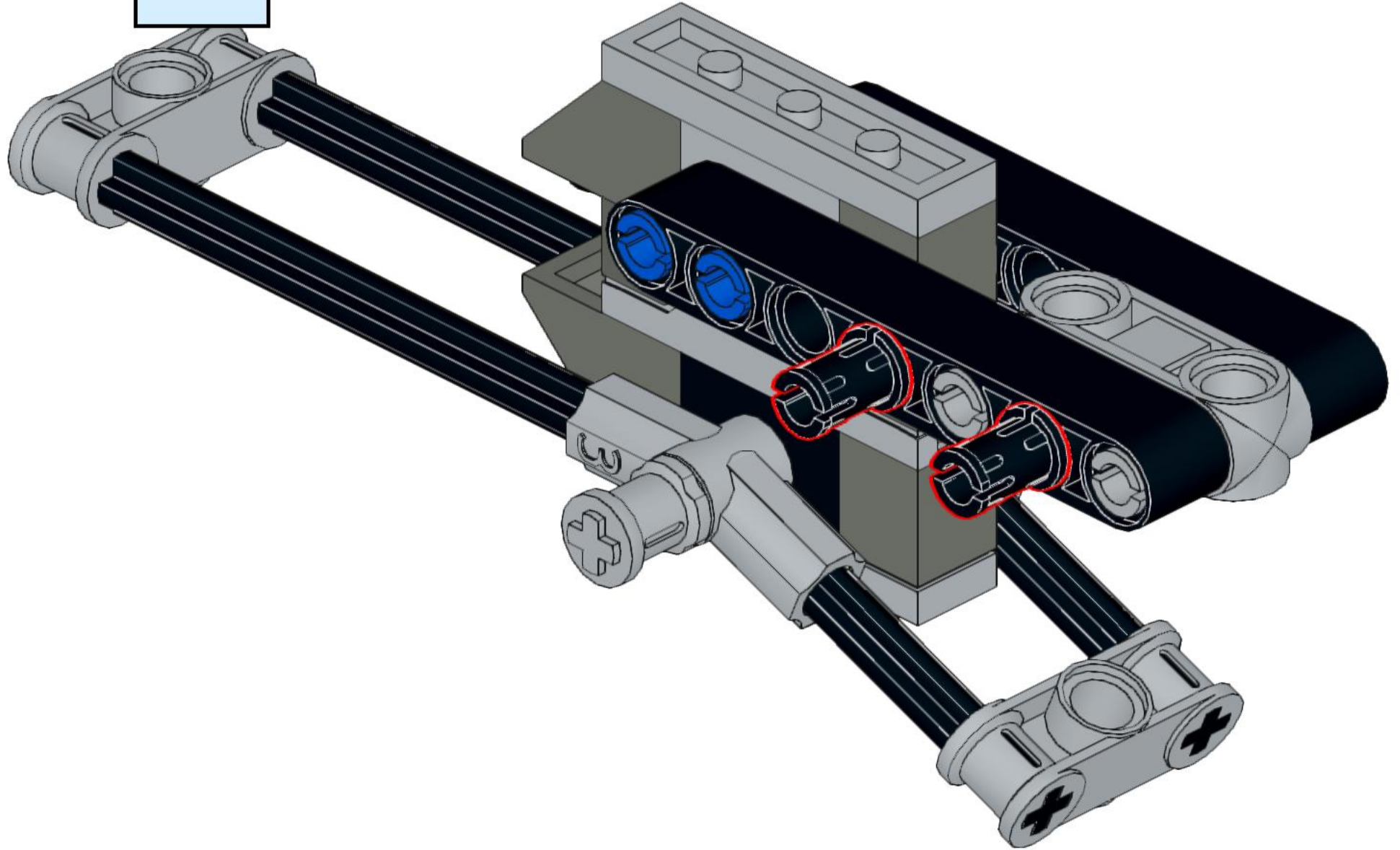


# 16

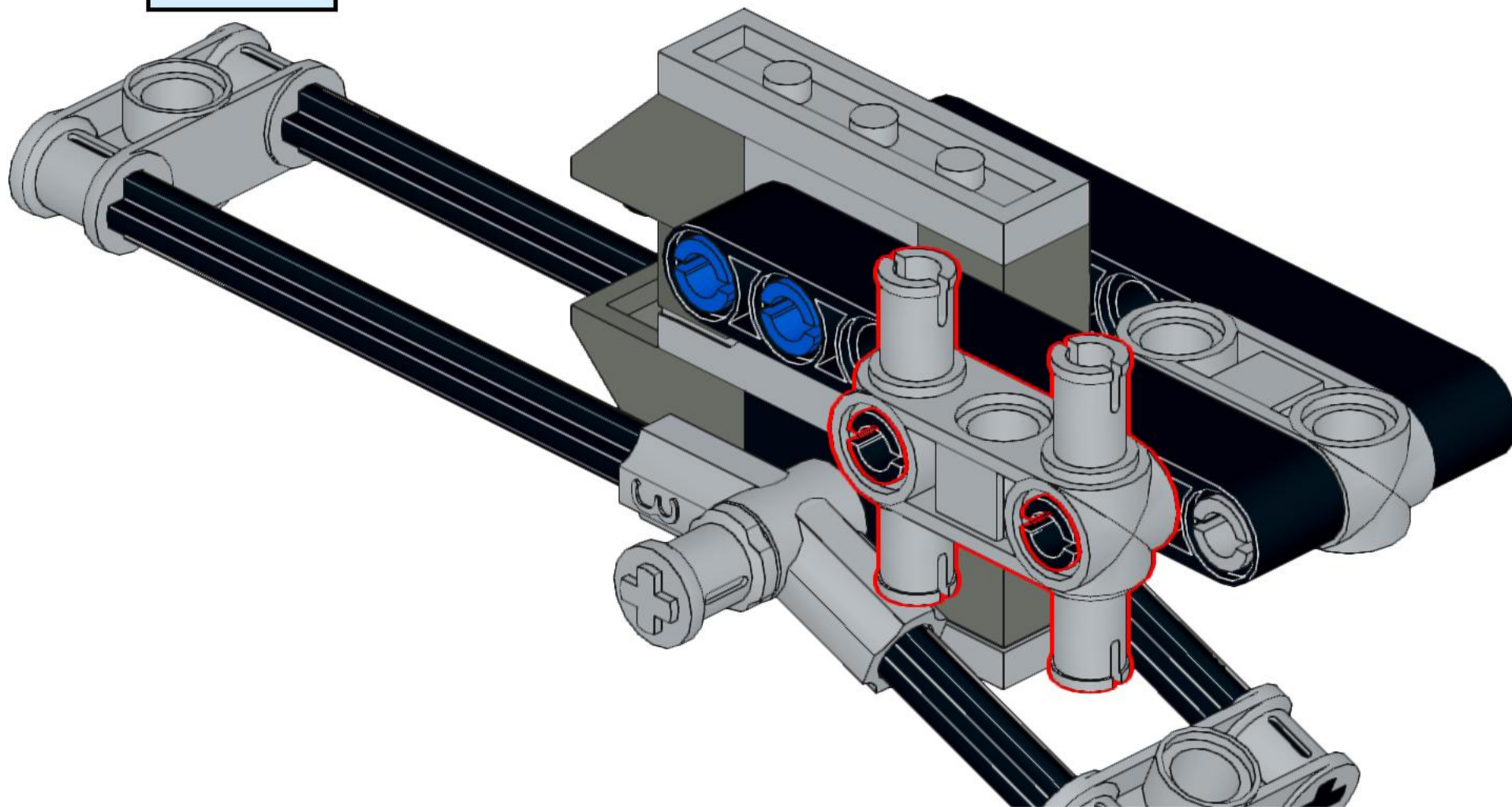
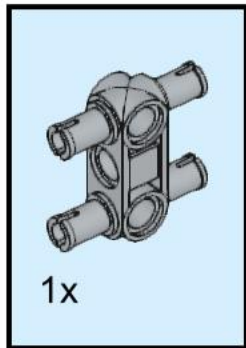




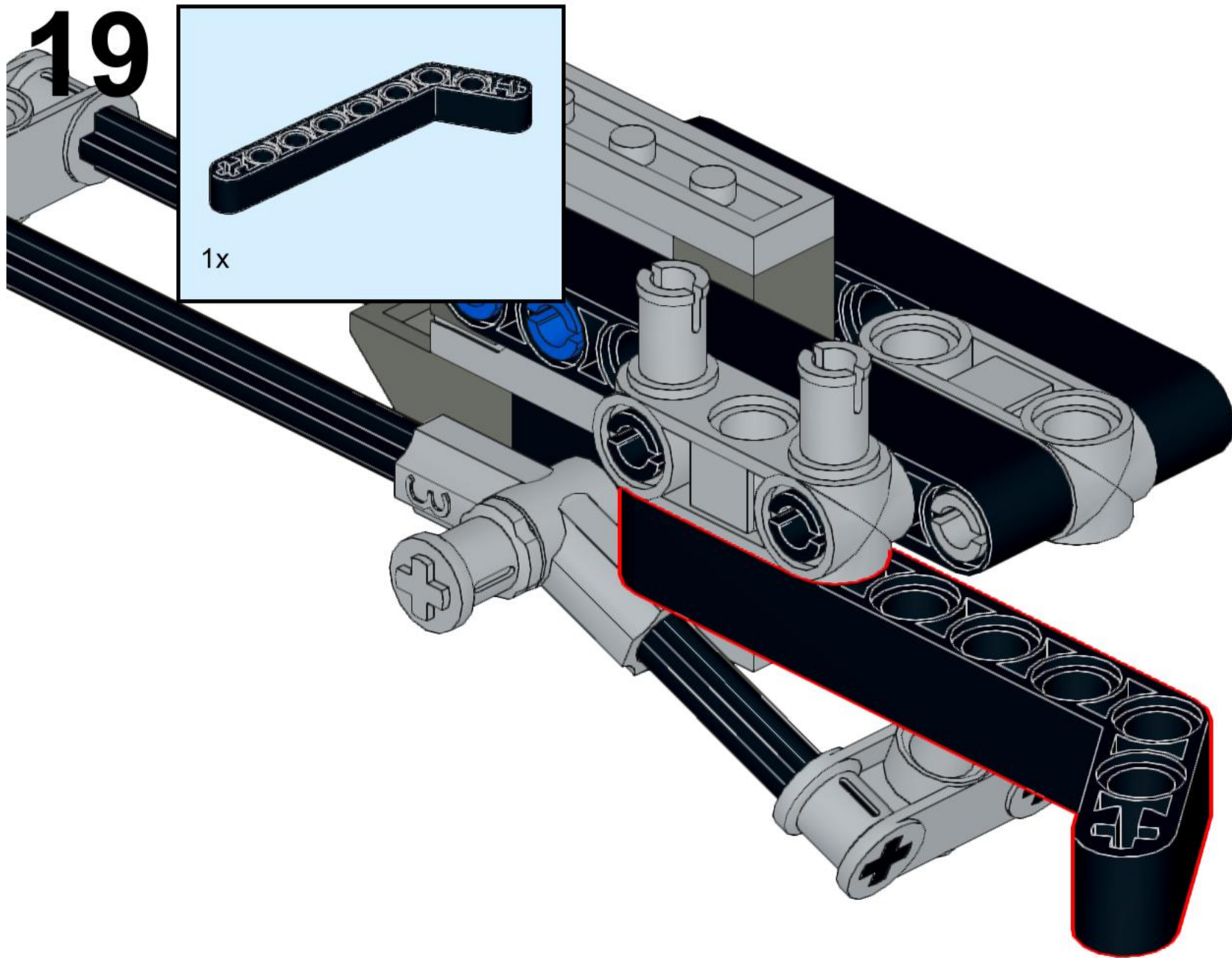
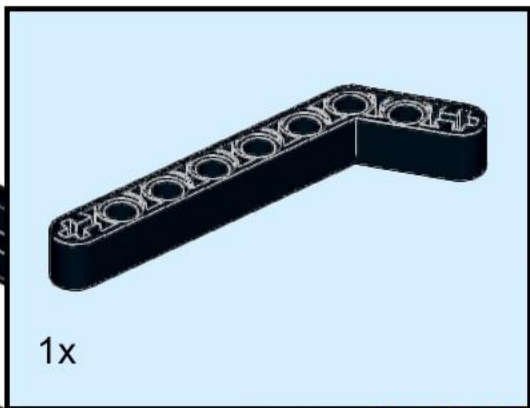
17

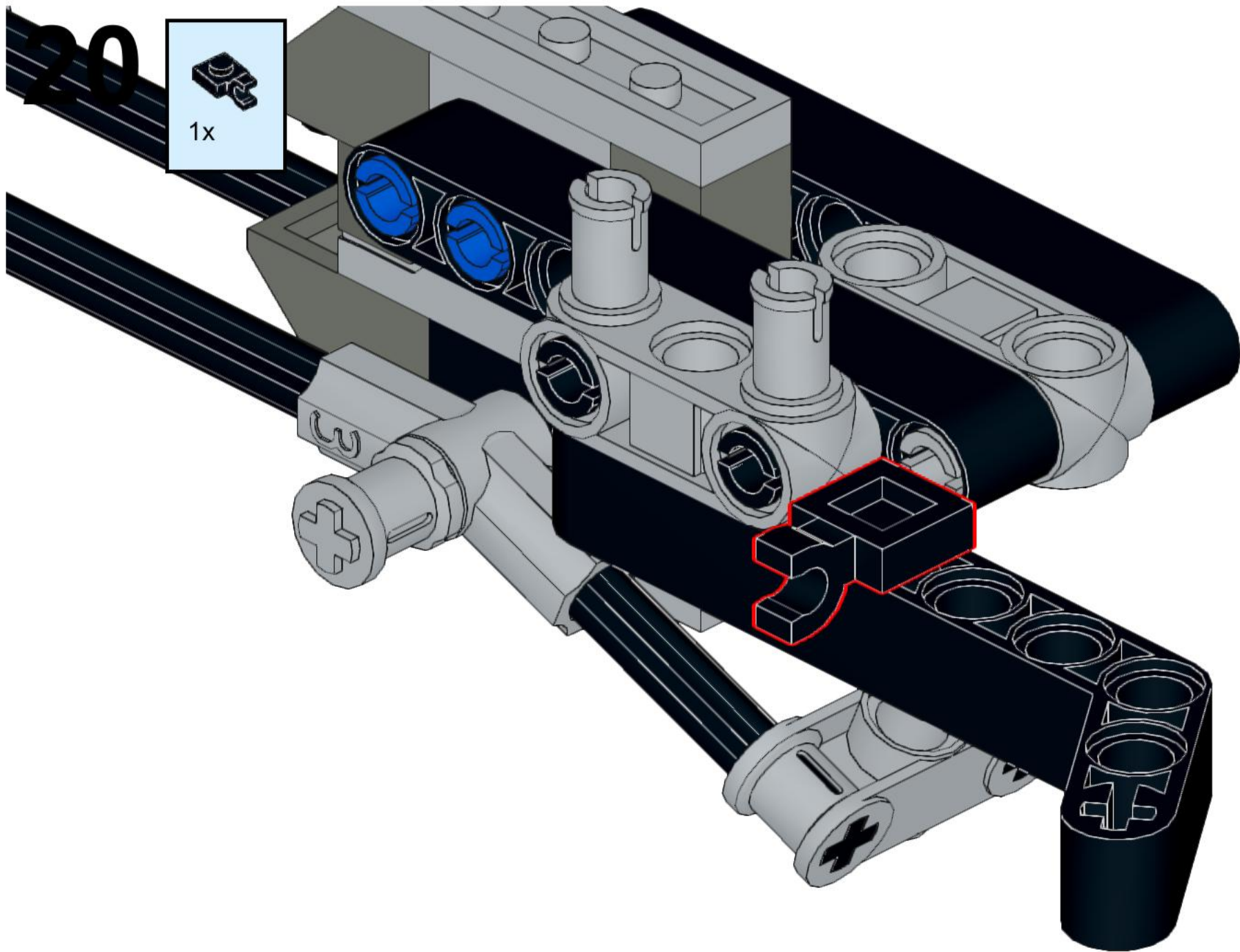


# 18



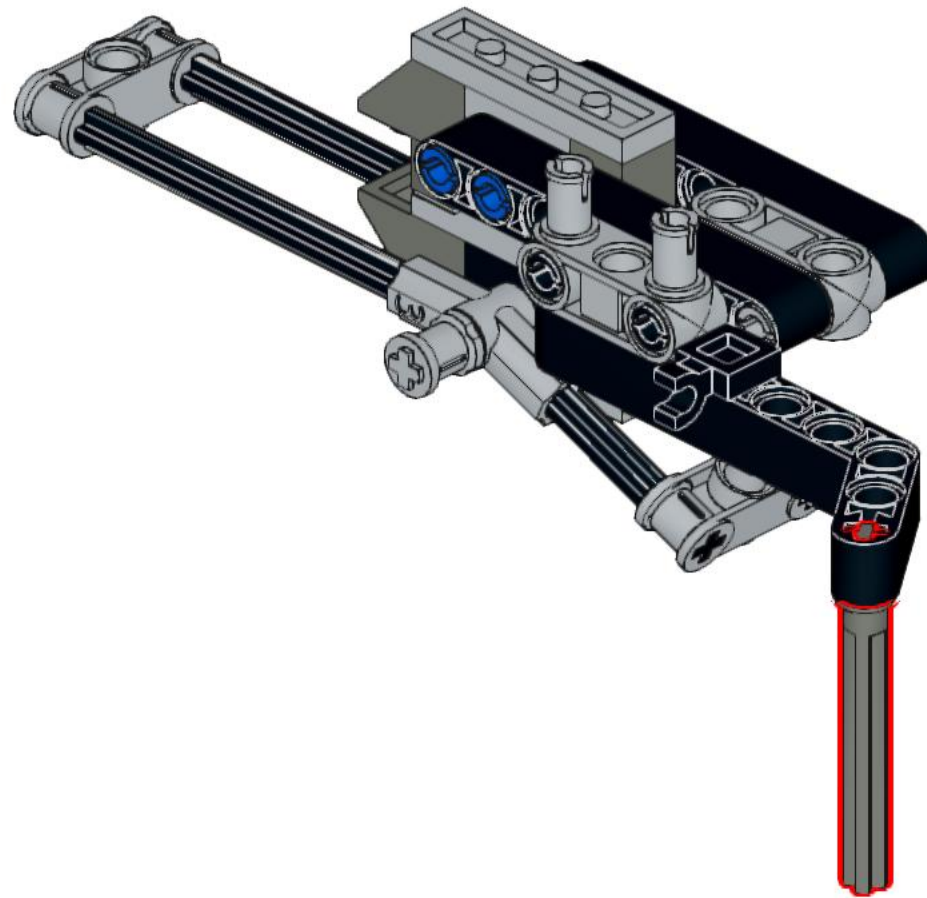
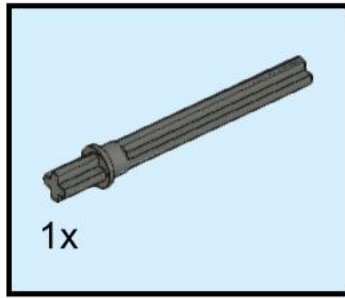
19



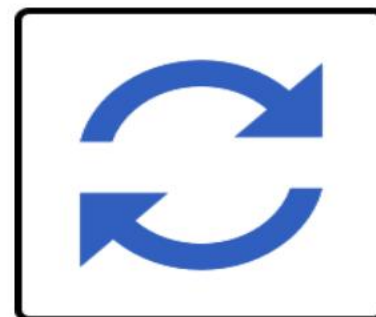
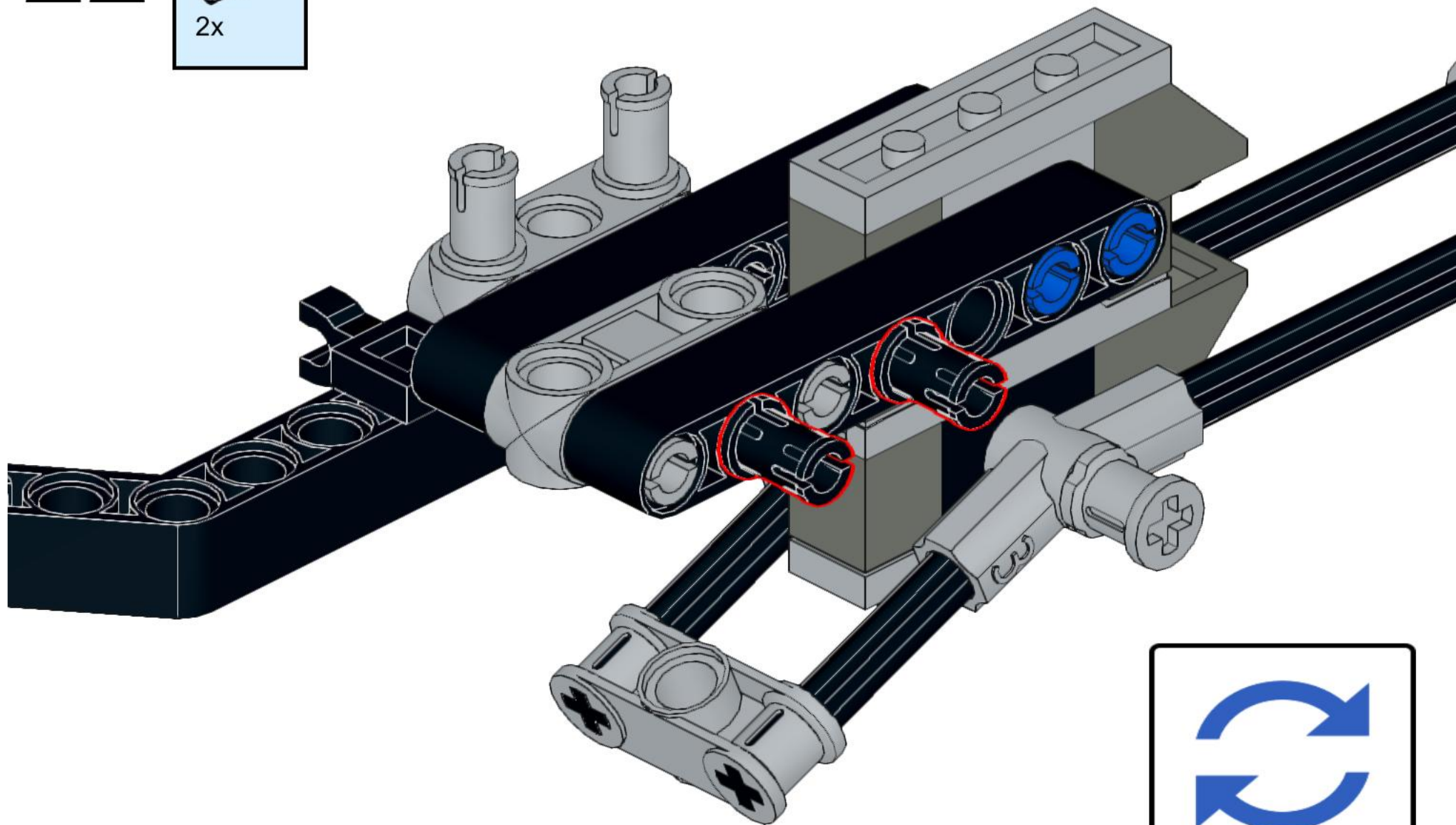


1x

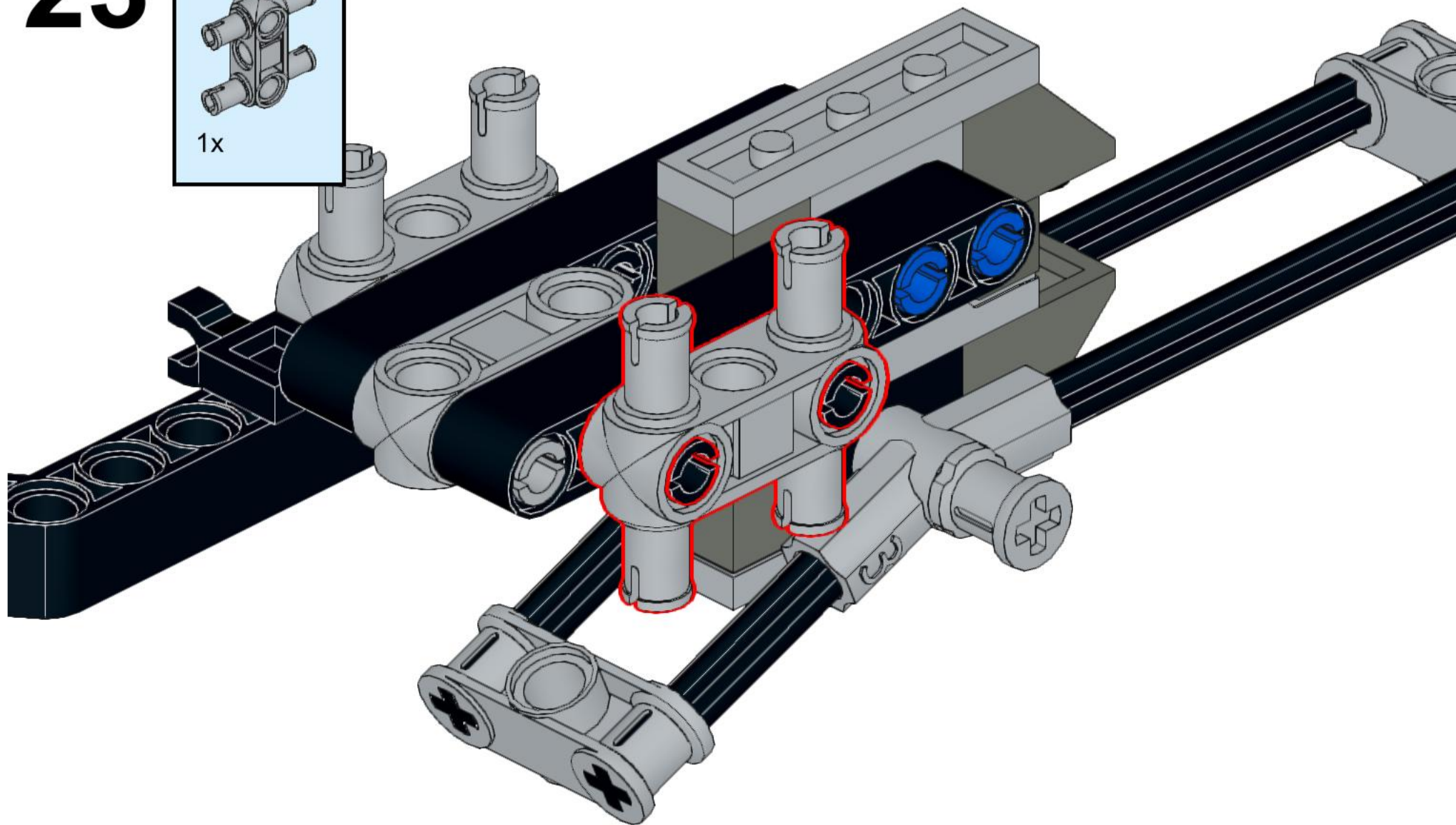
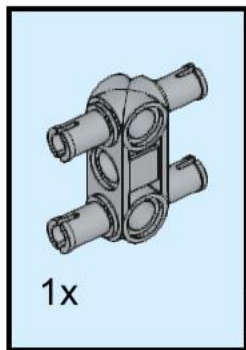
# 21



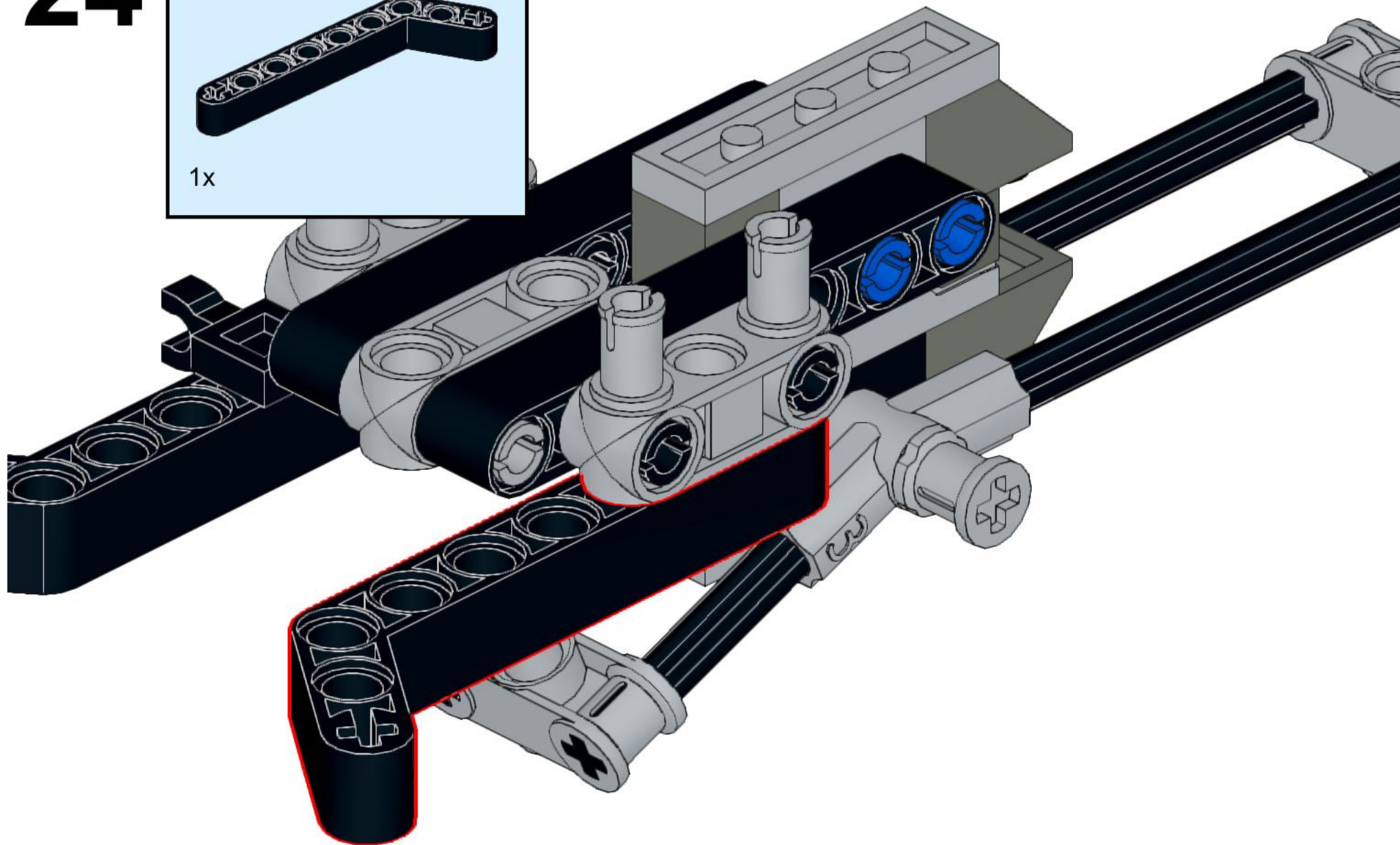
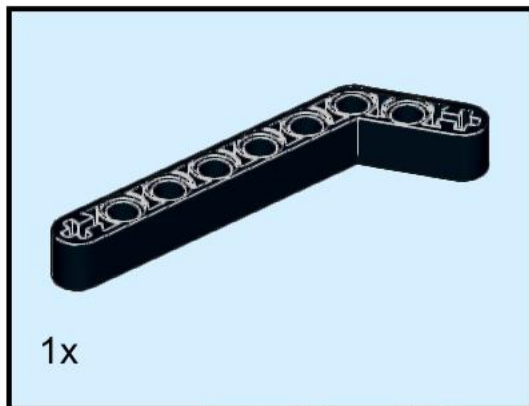
# 22



# 23

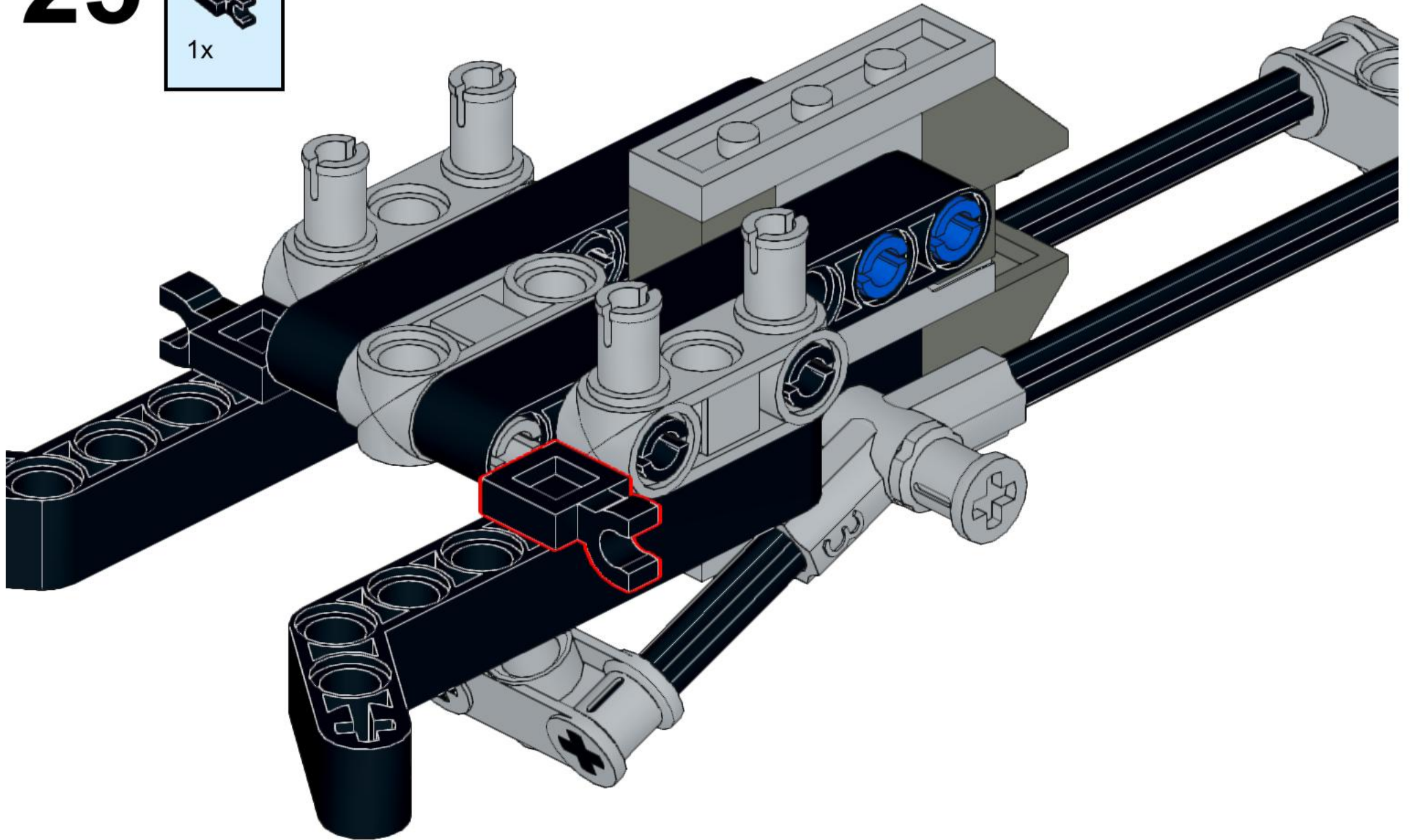
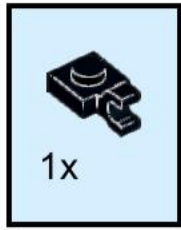


24

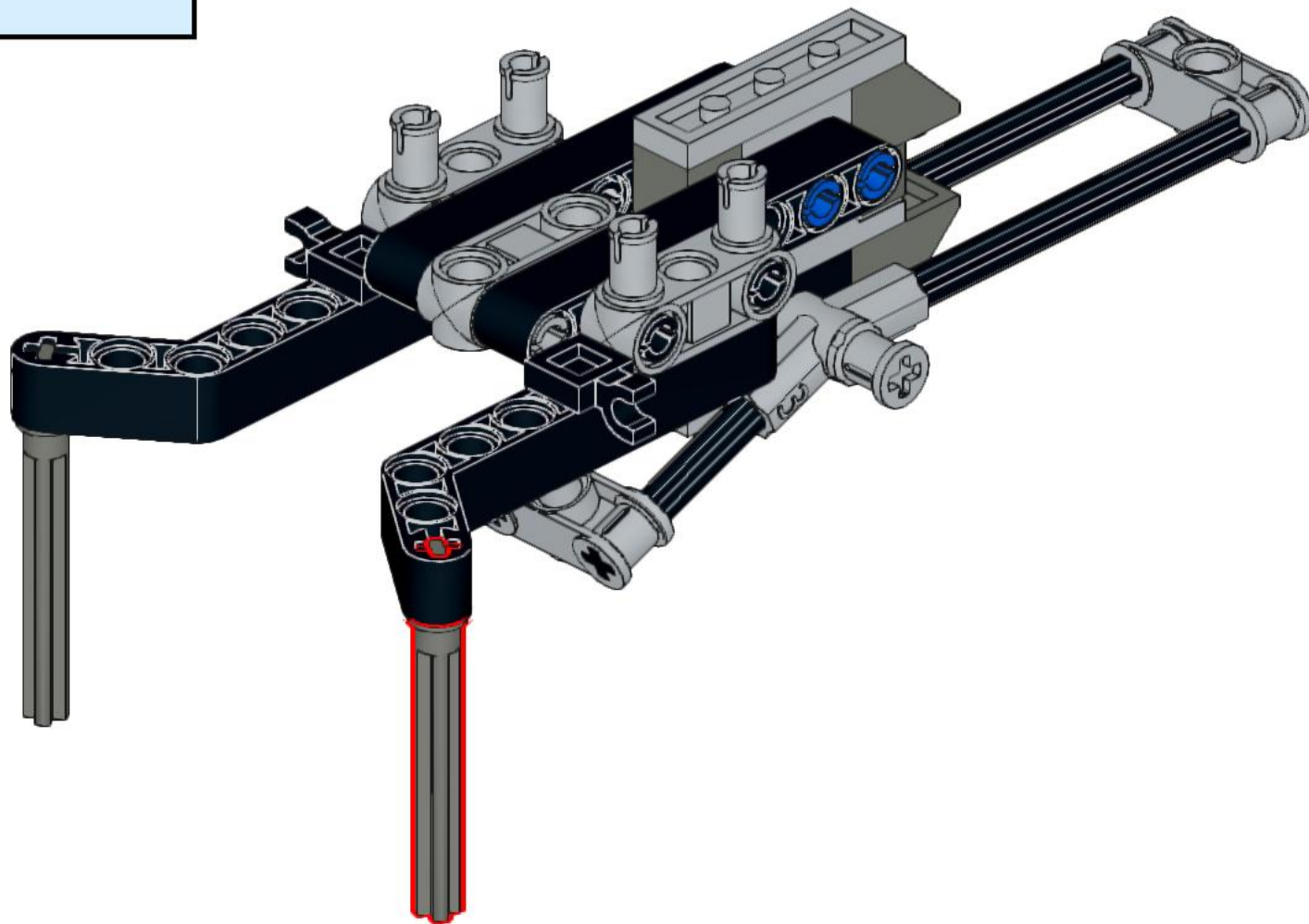
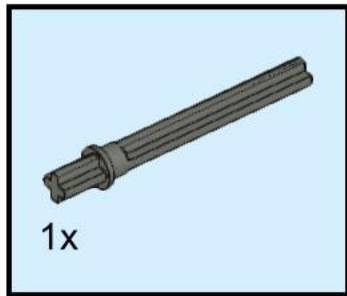




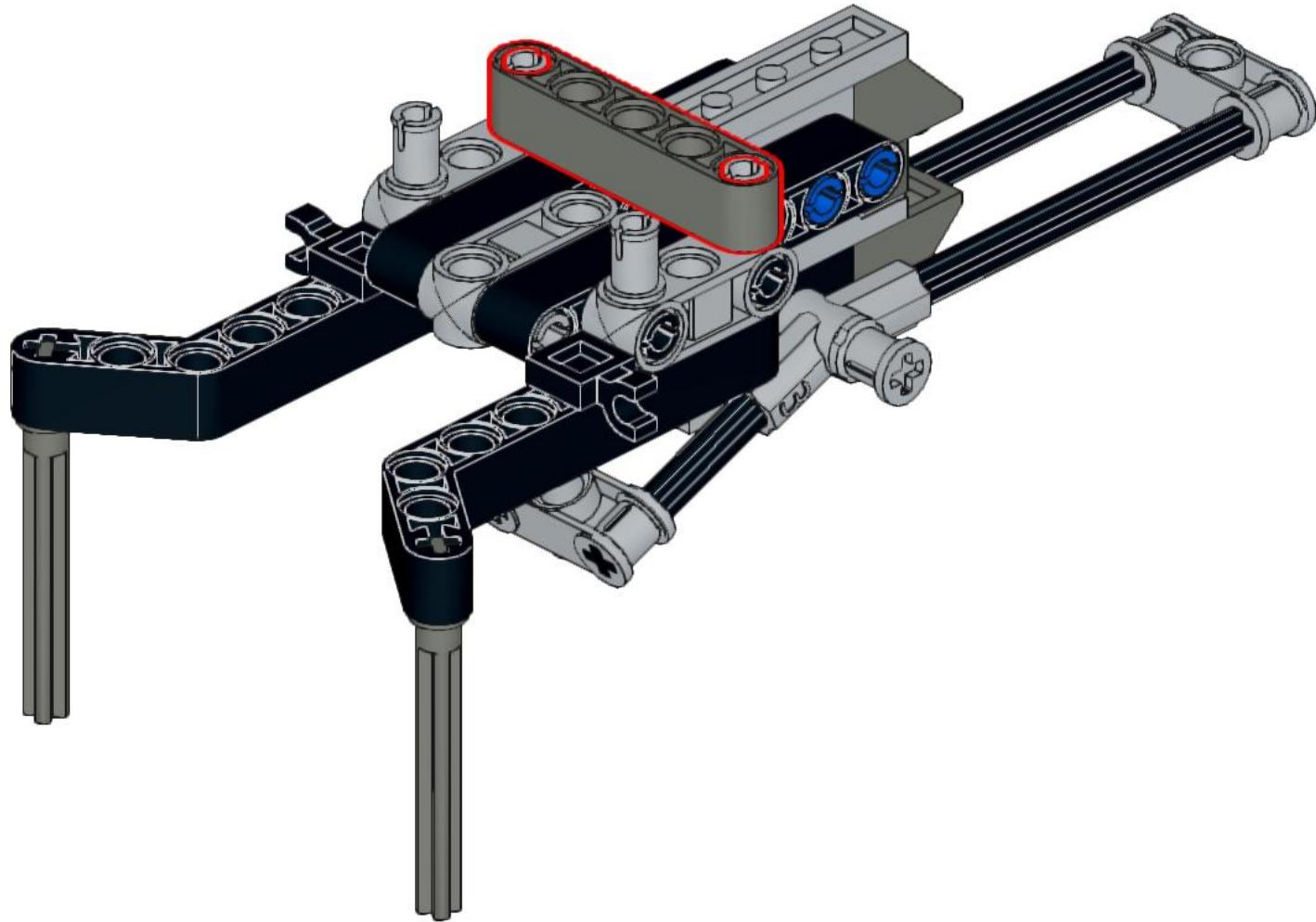
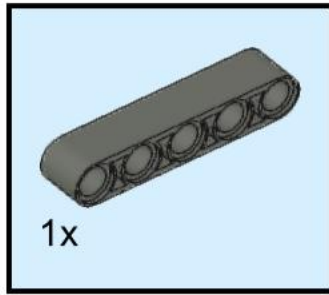
25



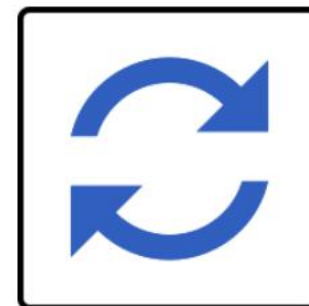
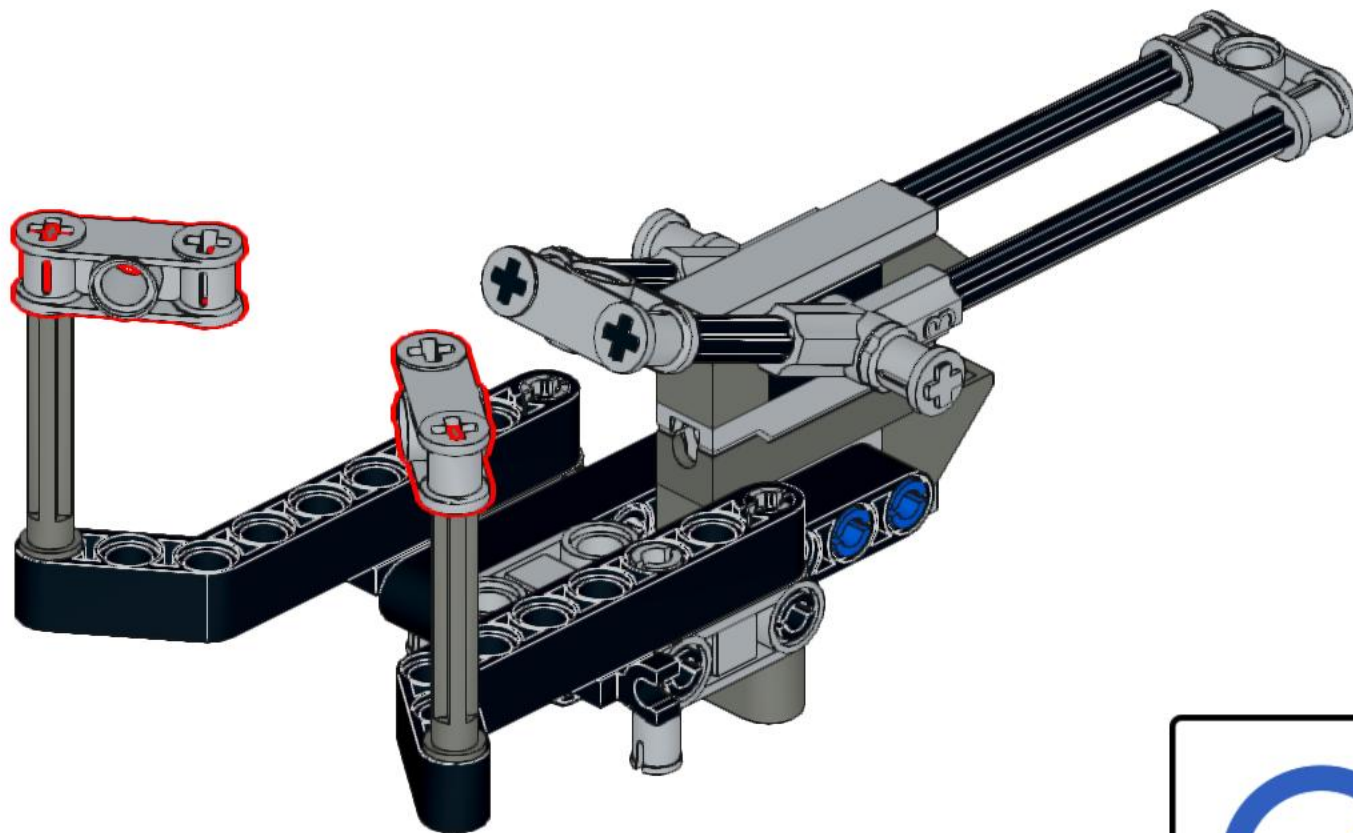
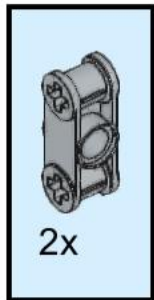
# 26



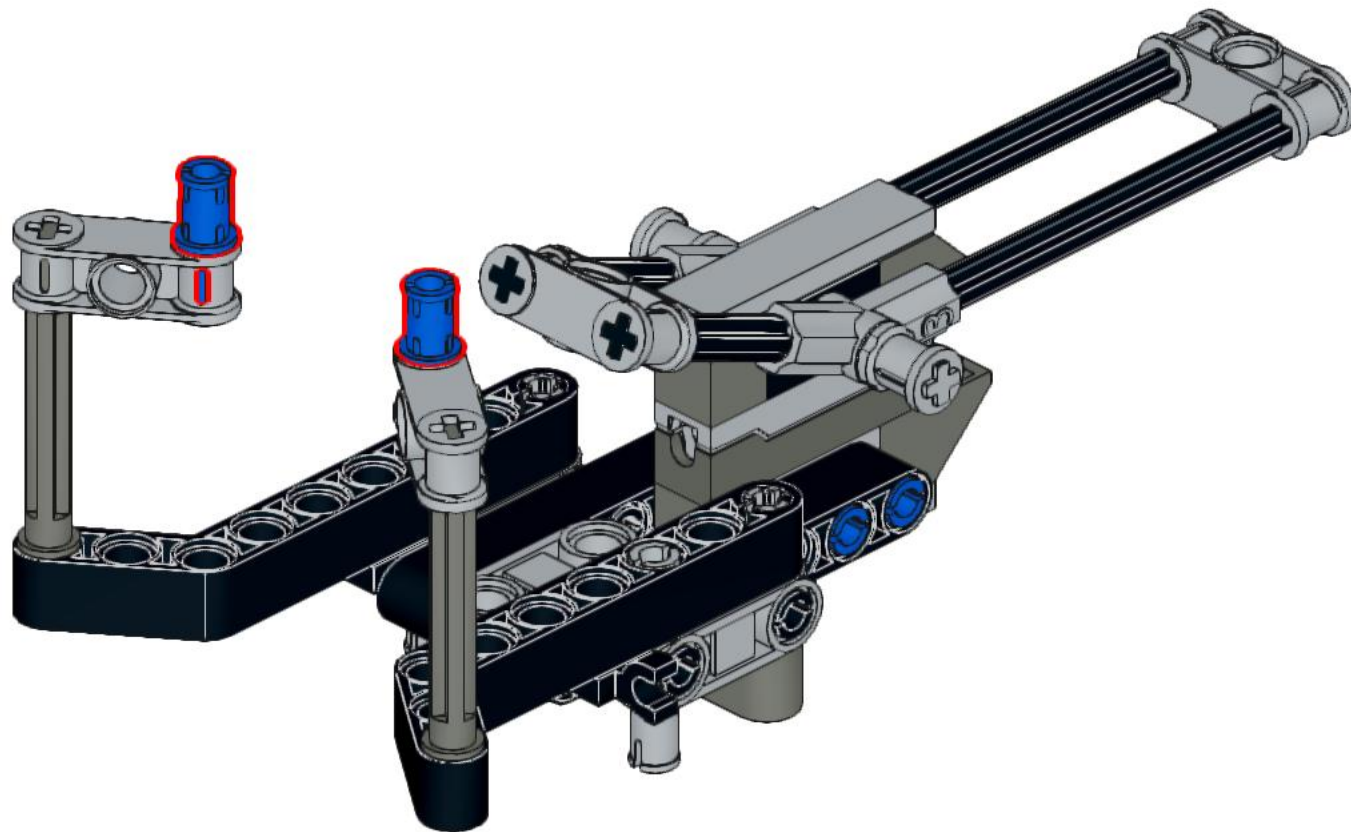
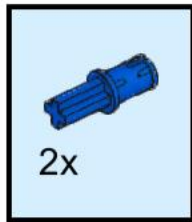
# 27



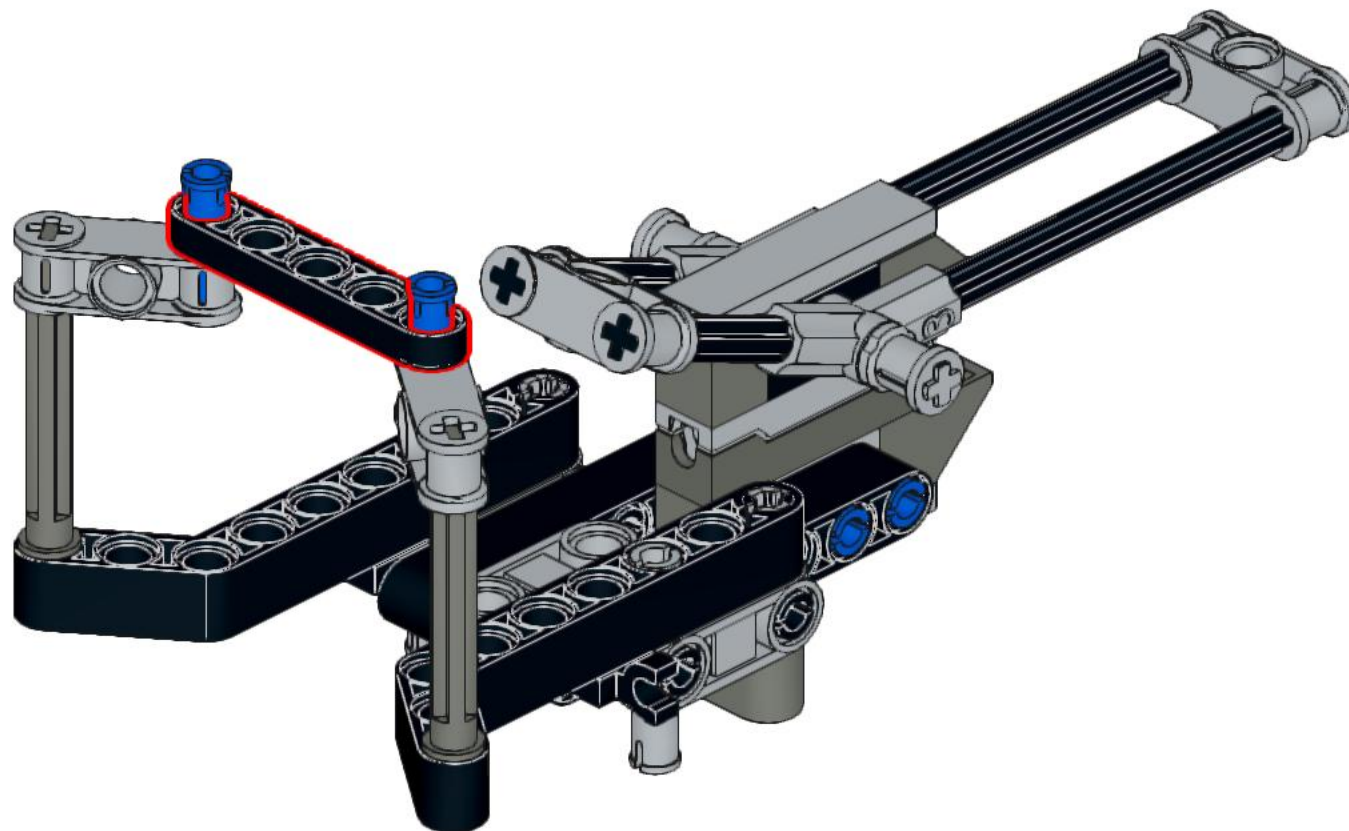
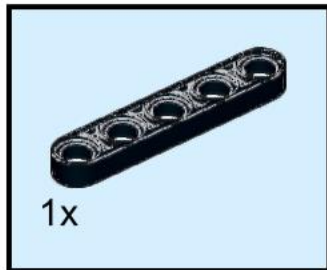
# 28



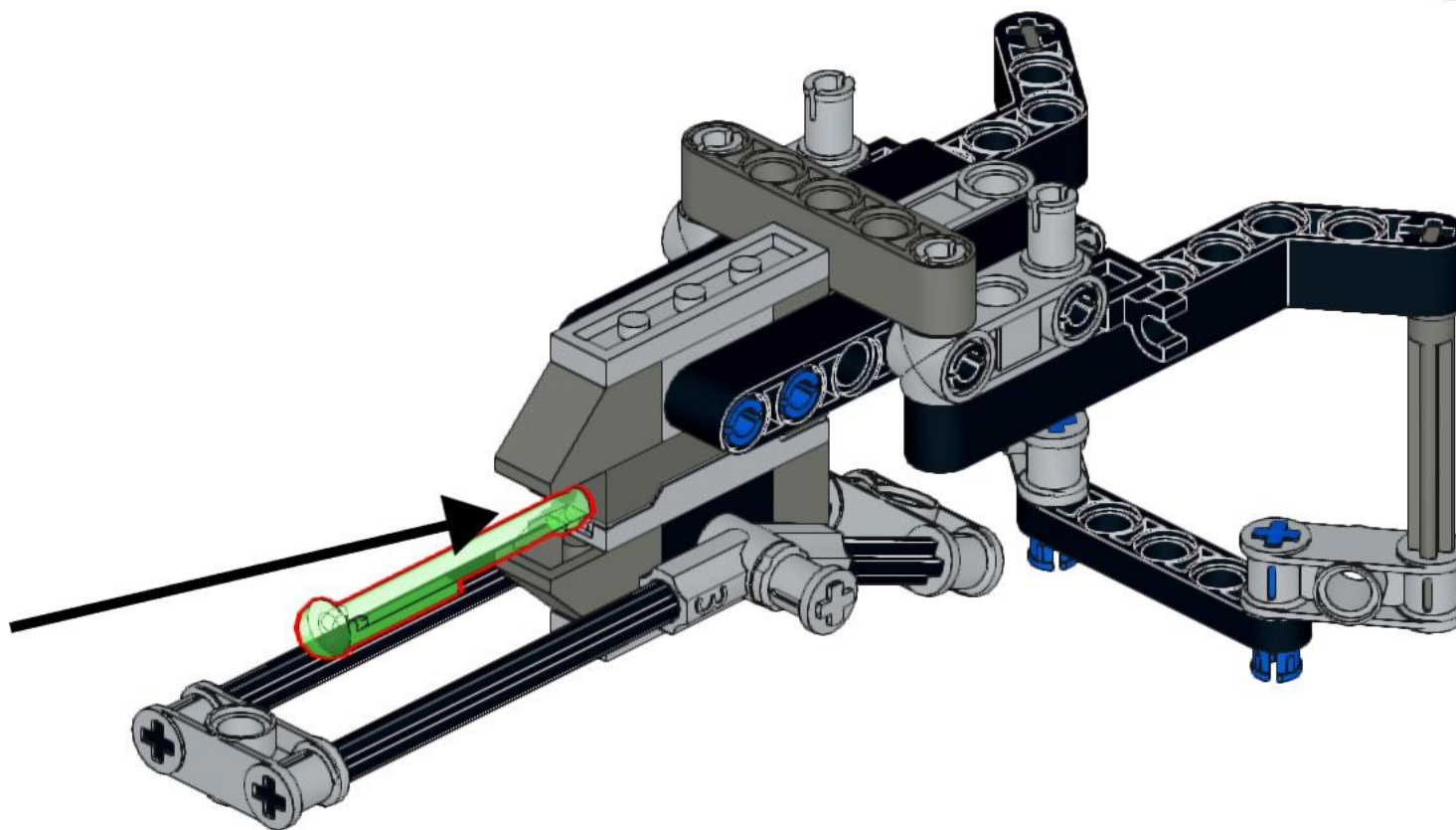
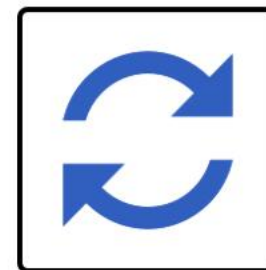
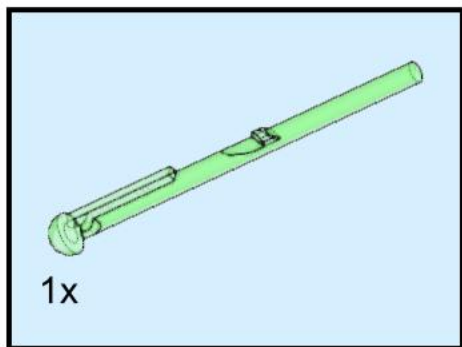
# 29



# 30



# 31



# 32

